

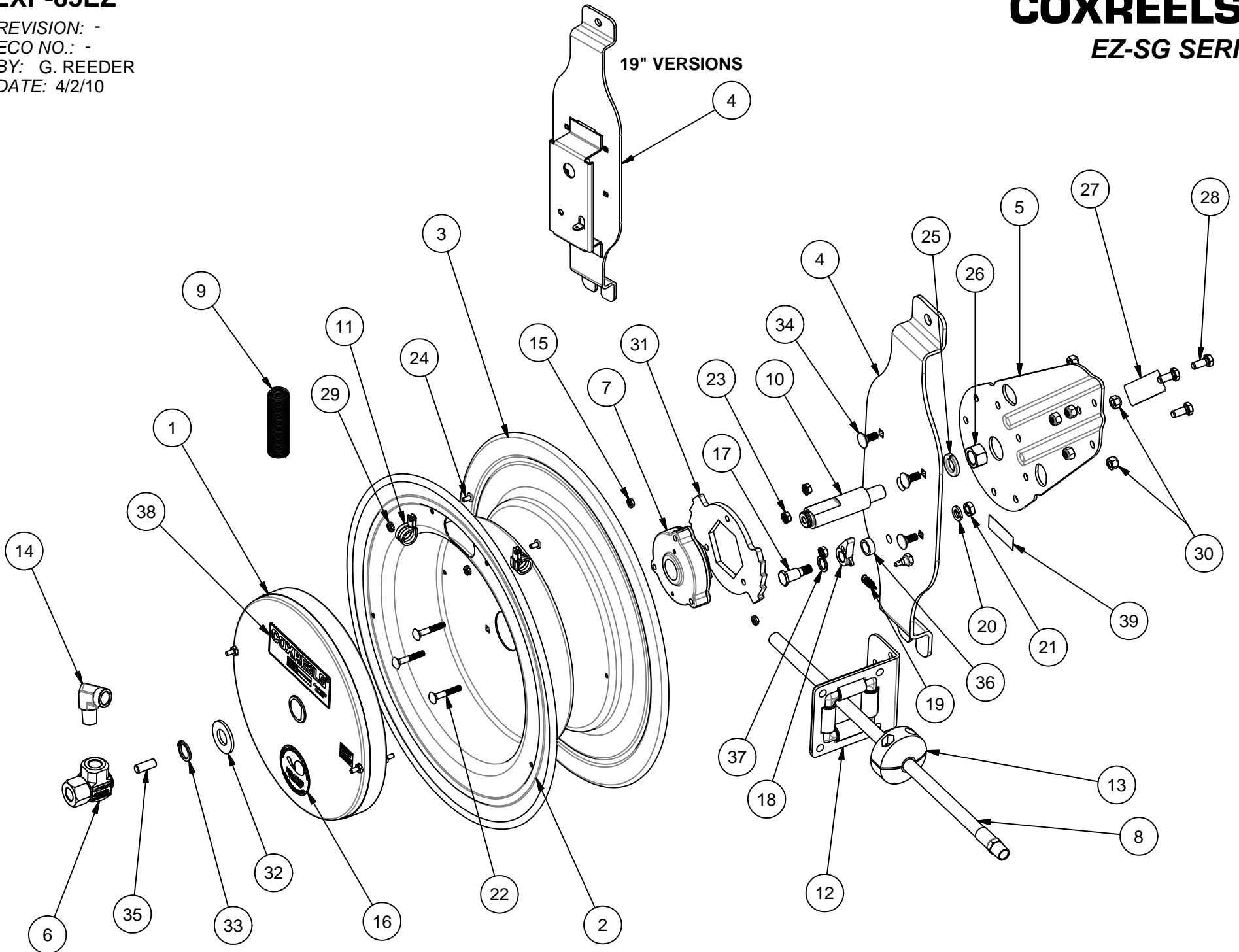
# EXP-85EZ

REVISION: -  
ECO NO.: -  
BY: G. REEDER  
DATE: 4/2/10

# COXREELS

## EZ-SG SERIES

19" VERSIONS



ITEM	PART	DESCRIPTION	QTY
16	10937	LABEL: EZ-COIL, ROUND	1
17	1620	BOLT: 1/2" x 1-1/2" SHOULDER	1
18	640-1-SS	CAM: LOCKING	1
19	274-1-SS	SPRING: LOCK DOG	1
20	437	WASHER: 3/8" LOCK	1
21	184	NUT: 3/8-16 JAM	1
22	1953	BOLT: 1/4-20 x 1-1/2" CARRIAGE	3
23	125	NUT: 1/4-20 KEPS	3
24	245	SCREW: #10-32 x 3/8" TRUSS HEAD	2
25	438	WASHER: 5/8" LOCK	1
26	3584	NUT: 5/8-11 HEX	1
27	10950	LABEL: EZ-COIL, ARM	1

ITEM	PART	DESCRIPTION	QTY
28	312	BOLT: 5/16-18" X 3/4" HEX	3
29	130	NUT: #10-32 KEPS	2
30	111	NUT: 5/16-18 NYLOCK	7
31	1924	RING: LOCKING	1
32	1755-1	WASHER: SPACER	1
33	1753	RING: #5160-75 RETAINING	1
34	10220-75	BOLT: 5/16-18 x 3/4" CARRIAGE	4
35	10235-SS	STUD: 3/8-16 X 1" SS	1
36	6440-SS	SPACER: SS	1
37	6441-1	WASHER, SPACER	1
38	10925-5B	LABEL: EZ-COIL PRODUCT	1
39	10937-1	LABEL: EZ-COIL PATENT	1

ITEM NUMBER

MODEL NO.	ITEM NUMBER																
	1	2	3	4	5	6	7	** 8			** 9	10	11	12	** 13	14	15
	SPRING	DRUM	DRUM	BASE	ARM	SWIVEL	EZ-COIL	HOSE (STD)	HOSE (-OG)	HOSE (-RH)	HOSE GRD	AXLE	CLAMP (2)	ROLLER B.	BALL STOP	ELBOW	NUT
EZ-SG13-L125	1959-3	139-1	140-1	8872	8865	1969	7474-3-R	5150-25	5121-25	3870-25	237-1	1956	2169	1728-2	131	-	130 (2)
EZ-SG13-L135	1959-5	139-1	140-1	8872	8865	1969	7474-3-R	5150-35	5121-35	3870-35	237-1	1956	2169	1728-2	131	-	130 (2)
EZ-SG13-L325	1958-7	139-1	140-1	8872	8865	1935	7474-3-R	5153-25	5101-25	5045-25	237-1	1956	381	1728-2	131-3	-	130 (2)
EZ-SG17-L350	1961-7	1948	1947	8873	8867	1935	7474-4-R	5153-50	5101-50	5045-50	237-1	1956	381	1728-3	131-3	-	130 (2)
EZ-SG17-L430	1961-5	1948	1947	8873	8867	439	7474-4-R	5154-30	5131-30	5066-30	398-1	1956	383	1728-3	131-4	-	130 (2)
EZ-SG19-L450	691-3	1703	1702	8870	8869	439	7474-6-R	5154-50	5131-50	5066-50	398-1	1793	383	1728-1	131-4	-	125 (4)

ITEM NUMBER

MODEL NO.	ITEM NUMBER														
	1	2	3	4	5	6	7	** 8	** 9	10	11	12	** 13	14	15
	SPRING	DRUM	DRUM	BASE	ARM	SWIVEL	EZ-COIL	HOSE (STD)	HOSE GRD	AXLE	CLAMP (2)	ROLLER B.	BALL STOP	ELBOW	NUT
EZ-SG17-M325	2037-3	1948	1947	8873	8867	1935	7474-4-R	5224-25	237-1	1956	381	1728-3	131-3	500	130 (2)
EZ-SG19-M350	646	1703	1702	8870	8869	1935	7474-6-R	5224-50	237-1	1793	381	1728-1	131-3	-	125 (4)
EZ-SG17-M425	2037-3	1948	1947	8873	8867	434	7474-4-R	5256-25	398-1	1956	383	1728-3	131-4	1671	130 (2)
EZ-SG19-M450	696-1	1703	1702	8870	8869	434	7474-8-R	5256-50	398-1	1794	383	1728-1	131-4	-	125 (4)

ITEM NUMBER

MODEL NO.	ITEM NUMBER														
	1	2	3	4	5	6	7	** 8	** 9	10	11	12	** 13	14	15
	SPRING	DRUM	DRUM	BASE	ARM	SWIVEL	EZ-COIL	HOSE (STD)	HOSE GRD	AXLE	CLAMP (2)	ROLLER B.	BALL STOP	ELBOW	NUT
EZ-SG17-H125	2037-3	1948	1947	8873	8867	499	7474-4-R	5304-25	237-1	1956	115	1728-3	131	616	130 (2)
EZ-SG19-H150	646	1703	1702	8870	8869	499	7474-6-R	5304-50	237-1	1793	115	1728-1	131	-	125 (4)
EZ-SG17-H325	2037-3	1948	1947	8873	8867	521	7474-4-R	5336-25	237-1	1956	613	1728-3	131-3	617	130 (2)
EZ-SG19-H350	696-1	1703	1702	8870	8869	521	7474-8-R	5336-50	237-1	1794	613	1728-1	131-3	-	125 (4)

\*\* ON "LESS HOSE" MODELS EXCLUDE ITEMS #8,#9, AND #13.  
 NOTE: MODELS SUPPLIED WITH "STANDARD" HOSE UNLESS SUFFIXED WITH "-OG" OR "-RH". USE HOSE NUMBERS AS NOTED ABOVE.

REEL ASSEMBLY REPORTS: R100 (LATCHOUT REMOVAL), R101 (LOCKING RING PLACEMENT), R112 (TIGHTENING AND TORQUING)

REVISION: - ECO: - DATE: 4/2/2010 NAME: G. REEDER