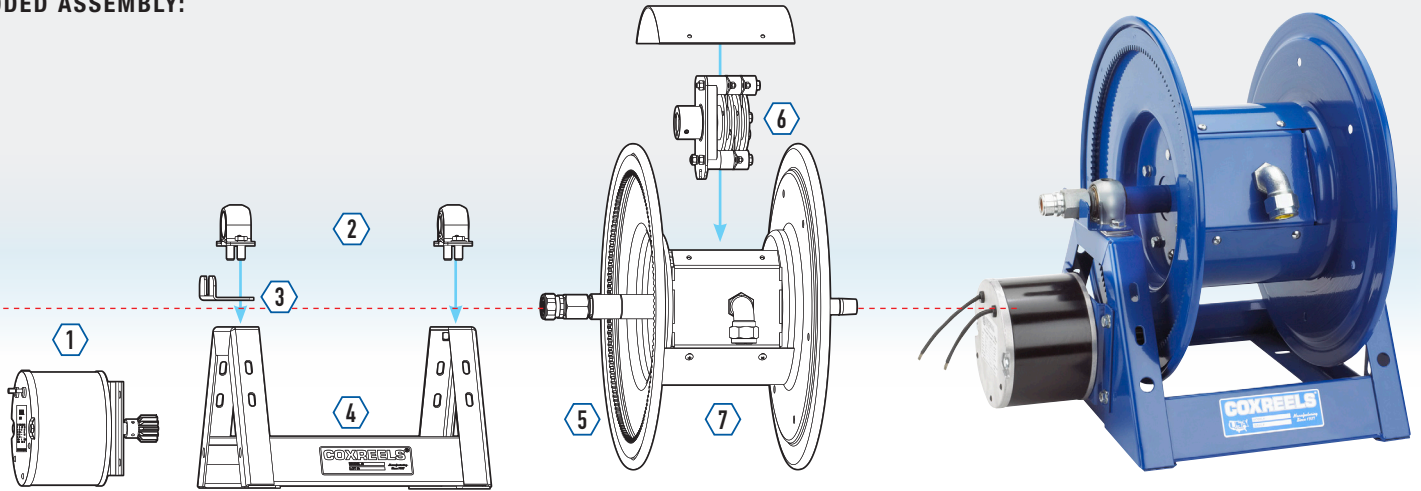




FEATURE FOCUS MOTORIZED CORD REEL

EXPLODED ASSEMBLY:



FEATURES & BENEFITS

STEEL CONSTRUCTION

High-Quality steel construction provides superior strength and durability for heavy-duty applications in commercial and industrial settings.



POWDER COAT

CPC™ Powder Coat. Long lasting, chip resistant and rust inhibiting CPC™ powder coat finish seals all steel components for maximum corrosion resistance.

1 CHOICE OF MOTOR

Customize reel to specific application:

Motor A	Air - #4 gast comp. air motor	8 lbs
Motor E	Elec. - 12v DC 1/3 HP rew. rev. type	13 lbs
Motor EF	Elec. - 24v DC 1/3 HP rew. rev. type	13 lbs
Motor EB	Elec. - 24v DC 1/2 HP rew. rev. type	26 lbs
Motor ED	Elec. - Expl. prf. - 12v DC 1/2 HP rew. rev. type	26 lbs
Motor EA	Elec. - Expl. Prf. - 115v 1/2 HP rew., AC rev. type	26 lbs
Motor H	Hydraulic end ported 9/16-18 UNF rev.	6 lbs
Motor C	Front hand crank bevel geared crank	3 lbs



2 PILLOW BLOCK BEARINGS

Pillow Block Bearings – Sturdy permanently lubricated and self-aligning pillow block bearings for smooth rotation and trouble-free operation.

- Robust lubricated horizontal surface mount bearings on 1-1/2" and 2" hose I.D. models.

3 CABLE KEEPER

Integrated anti-rotation cable keeper prevents the 5 foot lead cable from whipping or twisting.

4 "A" FRAME

Sturdy one piece, all CNC robotically welded 1/4" steel "A" frame base, not bolted, for superior reel structure and narrow width for convenient installation in restricted spaces

Mounting Pattern – Mounting pattern located in the steel base for easy reel installation and detachment.

5 DIRECT DRIVE MOTOR

A solid steel halo is welded to the disc for a safe and reliable direct gear drive retraction on 1125 and 1275 Series.

- Lubricated chain and zinc plated steel sprocket on larger motorized 1175, 1185 and 1195 Series.

6 SLIP RING ASSEMBLY

Drum-located slip ring assembly with easy to access removable panel for simple routine maintenance.

- Available with 30AMP or 45AMP, 600V rated slip ring assembly.

7 CNC SPUN DISCS

Heavy duty CNC robotically spun and ribbed discs with rolled edges for greater strength, durability, cord protection and operator safety.

ACCESSORIES & UPGRADES



ROLLER BRACKETS



PORTABLE HOSE REEL



SPEED CONTROLLER



GEAR GUARDS



www.coxreels.com

800.COX.REEL

P: 480.820.6396

F: 480.820.5132

E: info@coxreels.com

FF-MDCR-01