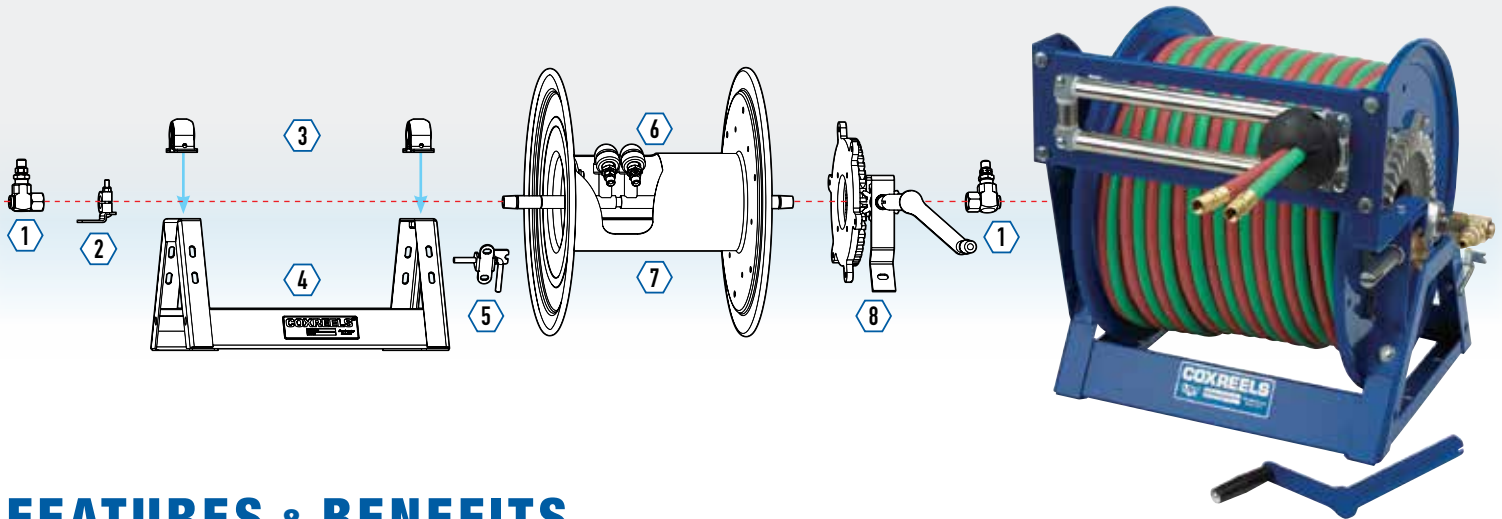




# FEATURE FOCUS HAND CRANK WELDING REEL

EXPLODED ASSEMBLY:



## FEATURES & BENEFITS

### STEEL CONSTRUCTION

High-Quality steel construction provides superior strength and durability for heavy-duty applications in commercial and industrial settings.



### POWDER COAT

CPC™ Powder Coat. Long lasting, chip resistant and rust inhibiting CPC™ powder coat finish seals all steel components for maximum corrosion resistance.



#### 1 WELDING GAS SWIVEL

Designed for Oxy-Acetylene and T Grade twin line welding hose. Dual machined from solid brass 90° full-flow 3/8" NPT swivels (1 on each side of the reel) for simple VITON® seal maintenance and fast and easy hose installation. No need to remove the reel from its mount.



#### 2 TENSION BRAKE

Adjustable tension/friction brake adjust the speed of the draw to your desired preference & prevents your reel from "free wheeling"



#### 3 PILLOW BLOCK BEARINGS

Pillow Block Bearings – Sturdy permanently lubricated and self-aligning pillow block bearings for smooth rotation and trouble-free operation.

- Robust lubricated horizontal surface mount bearings on 1-1/2" and 2" hose I.D. models.



#### 4 "A" FRAME

Sturdy one piece, all CNC robotically welded 1/4" steel "A" frame base, not bolted, for superior reel structure.

Mounting Pattern – Mounting pattern located in the steel base for easy reel installation and detachment.



#### 5 LOCKING PIN

Long-handled locking pin secures reel from rotation during storage or transportation



#### 6 OUTLET RISER

Exclusive low profile outlet riser and open drum slot design provides a non-crimping, flat smooth hose wrap.



#### 7 CNC SPUN DISCS

Heavy duty CNC robotically spun and ribbed discs with rolled edges for greater strength, durability, hose protection and operator safety.



#### 8 BEVEL HAND CRANK

Solid steel direct hand crank with smooth round handle for easy mechanical retraction.

## ACCESSORIES & UPGRADES



ROLLER BRACKETS



PORTABLE HOSE REEL



STACKING BRACKET



[www.coxreels.com](http://www.coxreels.com)

800.COX.REEL

P: 480.820.6396

F: 480.820.5132

E: [info@coxreels.com](mailto:info@coxreels.com)

FF-HCWR-01