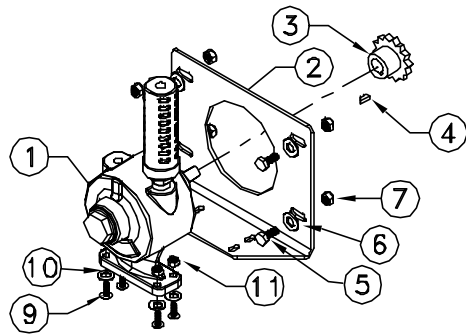
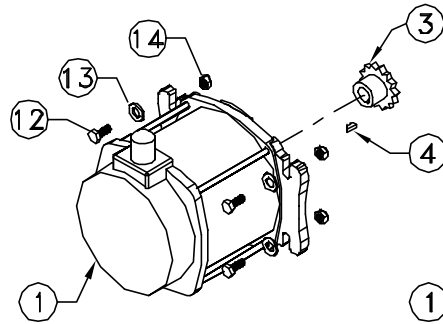


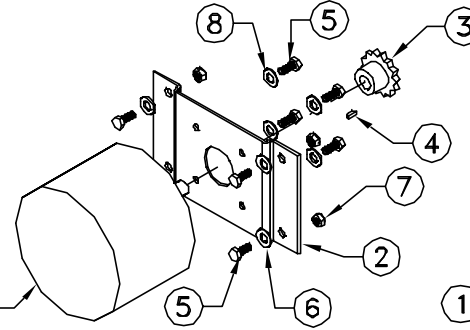
REVISIONS		CM-1175	
SYM.	DESCRIPTION	DATE	BY
D	P/N 6287- WAS P/N 8387 ECO. 2194-4	9/27/05	BM



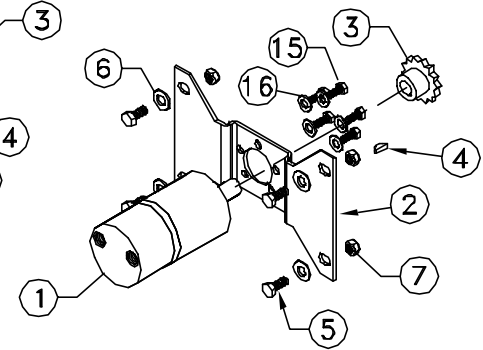
CM-1175-A



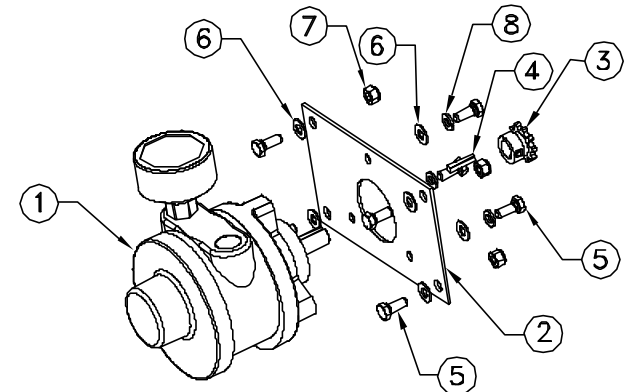
CM-1175-EA/-ED/-EB



CM-1175-E



CM-1175-H



CM-1175-AB

ITEM #	PART NUMBER	DESCRIPTION	-A	-AB	-EA	-ED	-EB	-E	-H
1	15224	MOTOR, AIR, #4	1						
	15224-1	MOTOR, AIR, #6		1					
	15225-1	MOTOR, 115VAC, EXPL PROOF			1				
	15223-1	MOTOR, 12VDC, EXPL PROOF				1			
	15228-1	MOTOR, 12VDC						1	
	15223-2	MOTOR, 24VDC					1		
	15226	MOTOR, HYDRAULIC							1
2	7442	BRACKET, 12VDC MOTOR						1	
	7443-1	BRACKET, AIR MOTOR	1						
	8168	BRACKET, AIR MOTOR		1					
3	7410	BRACKET, HYDRAULIC							1
	15134	SPROCKET	1						
4	15135	SPROCKET		1	1	1	1	1	1
	16006	KEY			1	1	1		
	16015	KEY	1						
	16016	KEY						1	1
5	7862	KEY		1					
	312	BOLT, 5/16-18 X 3/4"	4	7				8	4
6	20171	WASHER, FLAT, 5/16"	4	7				4	4
7	111	NUT, LOCKING, 5/16-18	4	4				4	4
8	112	WASHER, LOCK, 5/16"		3				4	
9	6287-	SCREW, 1/4-20 X 1" TRUSS	4						
10	688	WASHER, FLAT, 1/4"	4						
11	125	NUT, KEPS, 1/4-20	4						
12	341	BOLT, 3/8-16 X 1-1/4"			4	4	4		
13	157	WASHER, FLAT, 3/8"			4	4	4		
14	435	NUT, LOCKING, 3/8-16			4	4	4		
15	110	BOLT, 1/4-28 X 3/4"							5
16	114	WASHER, LOCK, 1/4"							5

DRAWN: M. LLOYD		DATE: 05/12/05		KITS, MOTOR 1175, 1185 & 1195 COXREELS 6720 S. CLEMENTINE CT. TEMPE, ARIZONA 85283 480-820-6396
CHK: J. KNOSALLA		DATE: 05/12/05		
MAT. SEE BOM				
NEXT ASSEMBLY VARIOUS REELS				COXREELS 6720 S. CLEMENTINE CT. TEMPE, ARIZONA 85283 480-820-6396
DEC. .X ±.100 .XX ±.010 .XXX ±.005	FRACT. ±1/32	ANGLE ±.5 DEG.	DWG. NO. CM-1175	