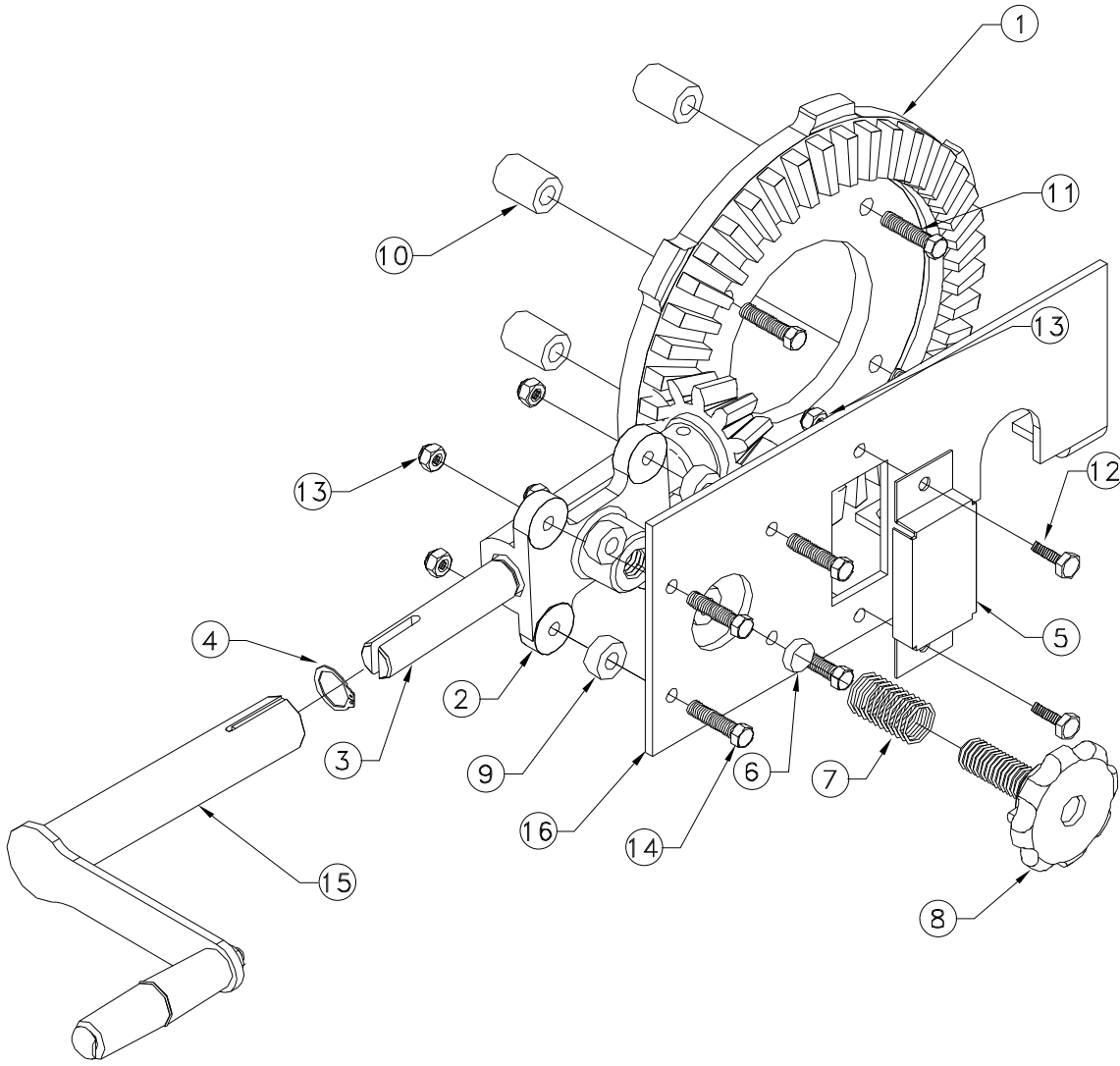


REVISIONS		7732	
SYM.	DESCRIPTION	DATE	BY
A	CHANGED ITEM #10 WAS: 16017-1 ECO. 1932-7	7-31-03	JK



16	1	7734	PLATE, MOUNTING
15	1	7513	HAND CRANK
14	4	141	BOLT, 1/4-20 x 1 1/4
13	6	3859	NUT, 1/4
12	2	6321	BOLT, 1/4-20 x 5/8
11	4	7726	BOLT, 5/15-18 x 2
10	4	20779-1	SPACER, 0.75"OD X 1.00" LG.
9	4	16017	SPACER, 0.75"OD X .328" LG.
8	1	20295	BRAKE KNOB
7	1	15205	SPRING
6	1	15173	BRAKE PAD
5	1	7728	COVER, PINION
4	2	20326	RETAINING RING
3	1	20426-20	PINION ASSEMBLY
2	1	20325	BEARING ASSEMBLY
1	1	7739	BEVEL GEAR

ITEM	QTY	PART NUMBER	DESCRIPTION
DRAWN:		J. SAUDER	DATE: 11-5-01
CHK:		J. KNOSALLA	DATE: 11-5-01
MAT.			
NEXT ASSEMBLY			
DEC. .X ±.100 .XX ±.010 .XXX ±.005		FRACT. ±1/32	ANGLE ±.5 DEG.
DWG. NO.		7732	REV. A

BEVEL GEAR KIT
1175-6 FRONT

COXREELS
6720 S. CLEMENTINE CT.
TEMPE, ARIZONA 85283
480-820-6396