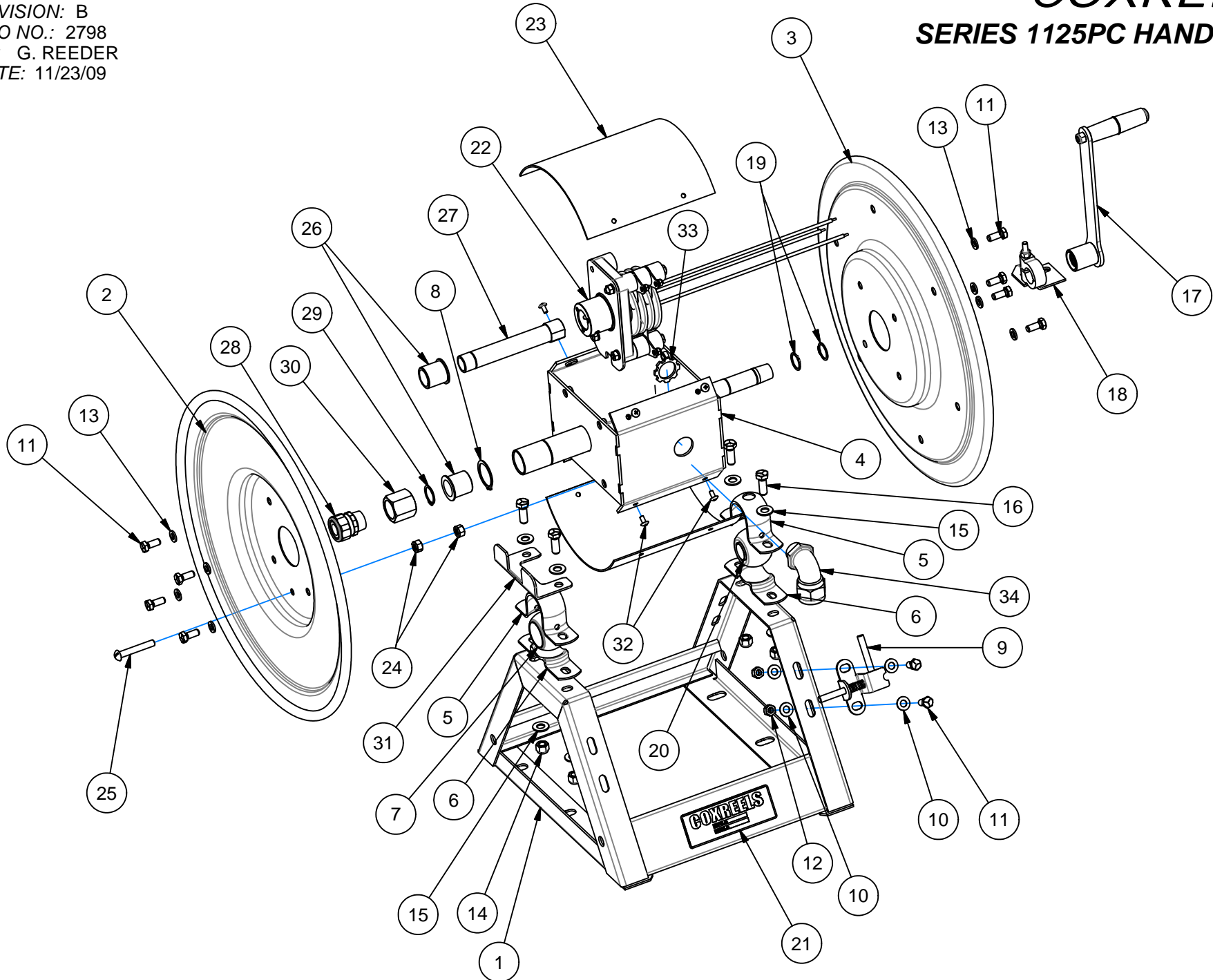


# EXP-205

REVISION: B  
ECO NO.: 2798  
BY: G. REEDER  
DATE: 11/23/09

# COXREELS SERIES 1125PC HAND CRANK



| ITEM NO. | PART NO. | DESCRIPTION                           | 1125PCL-8-C | 1125PCL-8M-C |
|----------|----------|---------------------------------------|-------------|--------------|
| 1        | 7455-8   | ASSEMBLY: FRAME, MANUAL 1125/1275     | 1           | 1            |
| 2        | 7499-1   | DISK: 17-1/2" X 8" DRUM               | 1           | 1            |
| 3        | 7500     | DISK: 17-1/2" X 8" DRUM               | 1           | 1            |
| 4        | 8797     | ASSEMBLY: AXLE, PC REEL               | 1           | 1            |
| 5        | 20064-T  | HOUSING: BEARING, TOP                 | 2           | 2            |
| 6        | 20064-B  | HOUSING: BEARING, BOTTOM              | 2           | 2            |
| 7        | 7507     | BEARING: 1-5/16" SPHERICAL            | 1           | 1            |
| 8        | 15012    | RING: #5100-131 RETAINING             | 1           | 1            |
| 9        | 20843    | ASSEMBLY: 5/16" LOCK PIN              | 1           | 1            |
| 10       | 20171    | WASHER: 5/16" FLAT                    | 4           | 4            |
| 11       | 312      | BOLT: 5/16-18 X 3/4" HEX              | 10          | 10           |
| 12       | 111      | NUT: 5/16-18 NYLOCK                   | 2           | 2            |
| 13       | 112      | WASHER: 5/16" LOCK                    | 8           | 8            |
| 14       | 435      | NUT: 3/8-16 NYLOCK                    | 4           | 4            |
| 15       | 157      | WASHER: 3/8" NARROW                   | 8           | 8            |
| 16       | 20016    | BOLT: 3/8-16 X 1" HEX                 | 4           | 4            |
| 17       | 7419-1   | ASSEMBLY: 1/2" HAND CRANK             | 1           | 1            |
| 18       | 7429-4   | ASSEMBLY: 1/2" DRAG BRAKE             | 1           | 1            |
| 19       | 153      | RING: #5100-81 RETAINING              | 2           | 2            |
| 20       | 20649    | BEARING: .833/.836" SPHERICAL         | 1           | 1            |
| 21       | 10925-5  | LABEL: STANDARD PRODUCT               | 1           | 1            |
| 22       | 7157-1   | SLIP RING: 30-AMP, 600-V, 3-CONDUCTOR | 1           | -            |
|          | 7157-2   | SLIP RING: 45-AMP, 600-V, 3-CONDUCTOR | -           | 1            |
| 23       | 8793     | COVER: POWER CORD REEL                | 2           | 2            |
| 24       | 8794     | NUT: 5/16-18 KEPS                     | 2           | 2            |
| 25       | 317      | SCREW: 5/16-18 X 2" ROUND HEAD        | 1           | 1            |
| 26       | 7673     | BEARING: FLANGED                      | 2           | 2            |
| 27       | 8792     | AXLE: SLIP RING                       | 1           | 1            |
| 28       | 7168-6   | STRAIN RELIEF: INPUT, ELECTRIC CORD   | 1           | -            |
|          | 7168-4   | STRAIN RELIEF: INPUT, ELECTRIC CORD   | -           | 1            |
| 29       | 8791     | RING: #5100-87 RETAINING              | 1           | 1            |
| 30       | 8795     | ADAPTOR: 7/8-14 X 3/4" NPT            | 1           | 1            |
| 31       | 8796     | KEEPER: CABLE                         | 1           | 1            |
| 32       | 245      | SCREW: #10-32 X 3/8" PHILLIPS HEAD    | 8           | 8            |
| 33       | 8803     | NUT: 3/4" NPT ELECTRICAL, LOCKING     | 1           | 1            |
| 34       | 8815-1   | STRAIN RELIEF: OUTPUT, 90-DEGREE      | -           | 1            |
|          | 8815-2   | STRAIN RELIEF: OUTPUT, 90-DEGREE      | 1           | -            |

REVISION: B

ECO: 2798

DATE: 11/23/09

G. REEDER